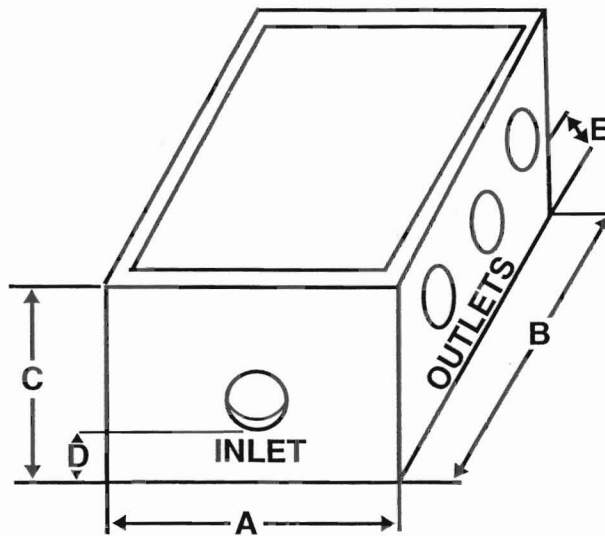


416 CHICORA ROAD
 BUTLER, PA 16001
 keyprecast&supply.com



724-287-1964
 FAX: 724-287-3070

SIZE	WIDTH A	LENGTH B	HEIGHT C	INLET FROM BOTTOM D	OUTLET FROM BOTTOM E
5 Way	16"	21"	16"	7"	6"
7 Way	16"	32"	14"	7"	6"
10 Way	20.5"	37.5"	14"	7"	6"



LID FURNISHED
 PLASTIC SEALS
 IN ALL OPENINGS

Monolithic Pour
 Concrete 5000 PSI 28 days

Reinforced with Forta Ferro Fiber